

Series 80 >> Model E828 C/I Rated

Large Orifice, Internally Piloted – 2-Way Normally Closed Valve

PeterPaul offers a line of Hazardous Location rated, large orifice Automatic Safety Shut Off Valves designed specifically for gas appliances. These valves meet the standards for Commercial/Industrial (C/I) Safety Shut Off Valves per ANSI Z21.21 (CSA 6.5). They are well suited for use in heating equipment, furnaces, ovens, kilns, boilers and gas generators.

- Large orifice sizes for high capacity.
- Body is made of 316 stainless steel.
- Potted coil for outdoor service.
- Operates on differential pressure – Internal Pilot.
- Voltages: 120/60, 12/DC and 24/DC
- Power Input: 1.8 watts
- Rated for ambient temperatures of -40° C to +65° C
- NPT threaded connections.

OPERATING CONDITIONS

Media: Fuel gas.

Valve Temperature Range: - 40° F (-40° C) to 150° F (65° C) ambient and media.

Maximum Operating Pressure Differentials: See table on next page.

Minimum Operating Pressure Differentials: 3 PSI

Leakage: Bubble tight

ELECTRICAL CHARACTERISTICS

Coil Voltage: 120 VAC 60 HZ, 12 VDC and 24 VDC

Nominal Power: 1.8 Watts

Coil Construction: Potted Class F

Operating Speed: Up to 100 CPM

Duty Cycle: Continuous

MECHANICAL CHARACTERISTICS

Body: 316 Stainless Steel

Internal Components: Stainless Steel (Std.). Copper - AC Only.

Elastomers: Nitrile (Buna) (Std.)

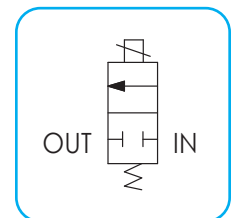
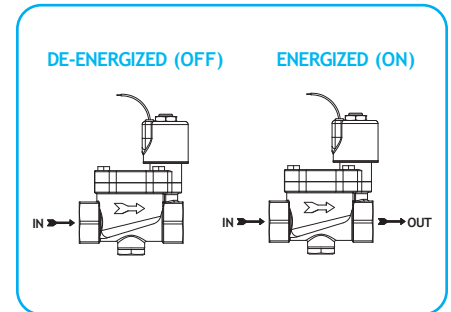
Housing: 1/2" NPT conduit

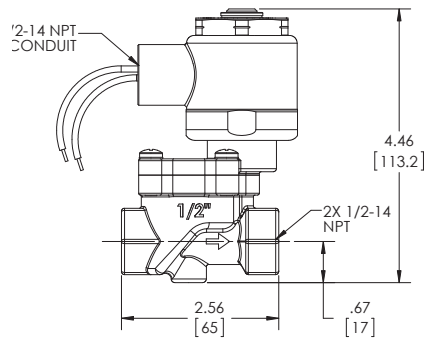
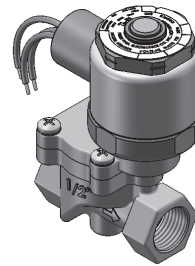
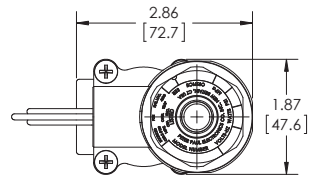
Listings: Valves are UL listed and CSA certified for Hazardous Locations – Class I, Div 1, Group C and D - Class II, Div 1, Group E, F, and G; Div 2, Groups C, D, E, F, and G.

Life Expectancy: Millions of cycles, depending on application variables.

Repair Kits: See table on next page.

* Consult representative or factory for options and specifications.





**SERIES 80
MODEL E828 C/I RATED
1/2 NPT PORTS
2WNC INTERNAL PILOT
EXPLOSION PROOF**

VALVE SPECIFICATIONS

MAX. OPER. PRESS. DIFF.		MIN. OPER. PRESS. DIFF.	GAS CAPACITY BTU/Hr	CV FACTOR	PIPE SIZE	VALVE NUMBER
AC	DC			N.C	N.C.	
30	30	3	3,375,000	5.8	3/4 NPT	E828Y29DCCP-S
30	30	3	7,575,000	13.0	1 NPT	E828D23DCCP-S
30	30	3	16,875,000	29.0	1 1/2 NPT	E828E24DCCP-S

Capacity is calculated at a 3 PSI pressure drop, 7.5 PSI inlet pressure with 1,000 BTU/Cu. FT, .64 Specific Gravity Gas

ORDERING INFORMATION:

WHEN ORDERING VALVES OR REPAIR PACKS ADD VOLTAGE AND FREQUENCY TO COMPLETE VALVE NUMBER. EXAMPLES: VALVE (E828D23DCCP-S 24/DC) SOLENOID REPAIR KIT (80-30043-DC or 80-30043-AC) BODY REPAIR KITS (80-30044 for 3/4", 80-30045 for 1", 80-30046 for 1 1/2")

NO OPERATOR AVAILABLE