



Series 80 >> Model 829B

Very Large Orifice, Direct Lift – 2-Way Normally Closed Valve

Super valves that have ratings that formerly required valves of much greater size. They are higher flow at 150psi and have quick media fill or dump for air, inert gases and liquids.

- Large orifice.
- High flow at 150psi.

OPERATING CONDITIONS

Media: Air, inert gases and liquids compatible with materials of construction.

Valve Temperature Range: Standard Valves - 0°F (-18°C) to 104°F (40°C) ambient; 0°F (-18°C) to 150°F (65°C) media. Optional Valves - can tolerate much higher or much lower ambient and media temperatures.*

Maximum Operating Pressure Differentials: See table on next page.

Burst Pressure: 1,000 PSI

Leakage: Bubble tight for standard valves.

ELECTRICAL CHARACTERISTICS

Coil Voltage: 120/60, 110/50, 240/60, 220/50, 24/60 VAC and 6, 12, 24, 48, 125 VDC

Nominal Power: AC – 18.0 Watts, DC – 16.0 Watts

Coil Construction: Molded and Potted Class F, Class H (Opt.)

Operating Speed: Up to 100 CPM

Duty Cycle: Continuous

MECHANICAL CHARACTERISTICS

Body: Anodized Aluminum

Internal Components: Stainless Steel, Anodized Aluminum, and for AC valves only, Copper.

Elastomers: Buna (Std.). Many other elastomers available.*

Orifice Diameter: See table on next page.

Porting: 1/2" NPT

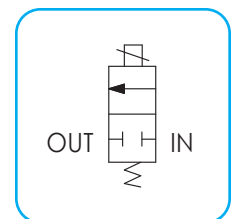
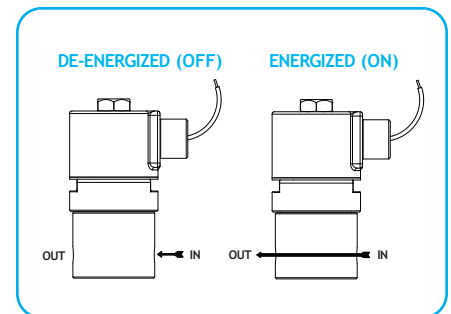
Housing: Grommet and 1/2" NPT conduit.

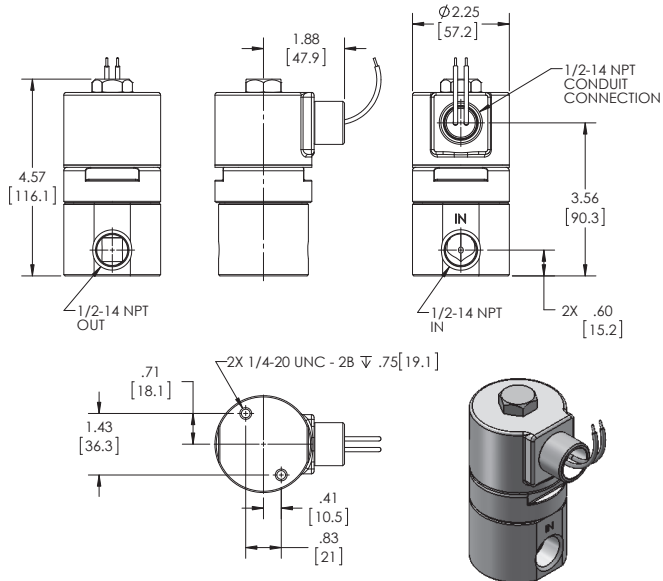
Life Expectancy: Millions of cycles, depending on application, lubrication, etc.

Valve Weight: 2.20 lbs

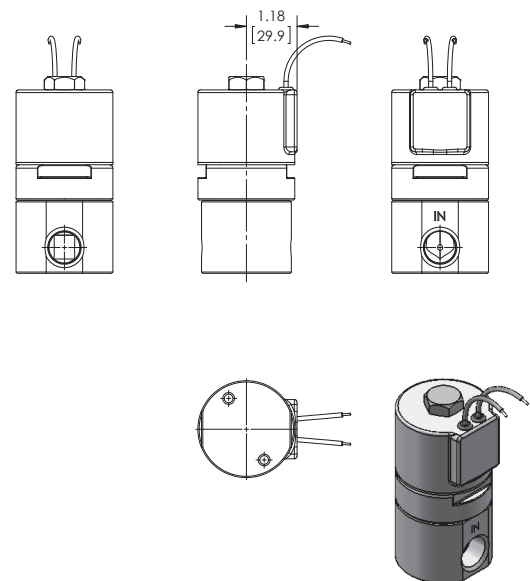
Repair Packs: See table on next page.

* Consult representative or factory for options and specifications.





**SERIES 80
MODEL 829B
1/2-14 NPT
2WNC
CONDUIT CONNECTION**



**SERIES 80
MODEL 829B
1/2-14 NPT
2WNC
GROMMET HOUSING WITH LEADS**

VALVE SPECIFICATIONS

MAX. OPER. PRESS. DIFF.		ORIFICE SIZE	CV FACTOR	VALVE NUMBER	CONDUIT HOUSING
AC	DC	N.C.	N.C.	GROMMET HOUSING 1/2 NPT PORTS	1/2 NPT PORTS
150	150	1/2	3.50	829B11DGM	829B11DCM

ORDERING INFORMATION:

WHEN ORDERING VALVES OR REPAIR PACKS ADD VOLTAGE AND FREQUENCY TO COMPLETE VALVE NUMBER. EXAMPLES: VALVE (829B11DGM 120/60) REPAIR PACK (K829BD AC)

NO OPERATOR AVAILABLE