



Series 20 >> Model 22T

Large Orifice, Non-Piloted – 2-Way Normally Closed Valve

Super valves that have ratings that formerly required valves of much greater size. They are higher flow at low pressures and have quick media fill or dump. Air and other fluids, compatible with Buna seals. Hot water, steam, gasoline and many oils require special seal materials.

- Large orifice in a smaller package.
- High flow at low pressures.
- Gravity feed lubrication with quick media fill or dump.

OPERATING CONDITIONS

Media: Air and other fluids, compatible with Buna seals. Hot water, steam, gasoline and many oils require special seal materials. (Series 20 pressure ratings may change due to the viscosity of the liquid.)*

Valve Temperature Range: Standard Valves - 0°F (-18°C) to 104°F (40°C) ambient; 0°F (-18°C) to 150°F (65°C) media. Optional Valves - can tolerate much higher or much lower ambient and media temperatures.

Maximum Operating Pressure Differentials: See table on proceeding page.

Burst Pressure: 5,000 PSI

Leakage: Bubble tight

Vacuum: To 15" Mercury*

ELECTRICAL CHARACTERISTICS

Coil Voltage: 6 to 825V AC 60 HZ. and 5 to 720V AC 50 HZ.

Nominal Power: AC – 7.7 Watts

Coil Construction: Non-molded Class A (Std.), Molded and Potted Class F or Class H (Opt.)

Typical Response Time on Air: 4 - 16 Milliseconds

Operating Speed: Up to 600 CPM with gas media

Duty Cycle: Continuous

MECHANICAL CHARACTERISTICS

Body: Stainless Steel

Internal Components: Stainless Steel

Elastomers: Nitrile (Buna) (Std.). Many other elastomers available.*

Orifice Diameter: 3/8" NPT

Porting: 3/8" NPT

Housing: Grommet and 1/2" NPT conduit - many options available*

Listings: Most valves are UL and CSA listed.*

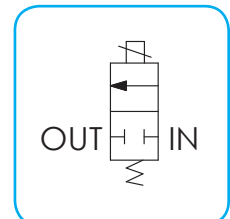
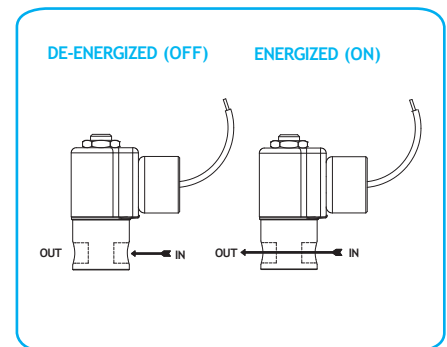
Life Expectancy: Millions of cycles, depending on application, lubrication, etc.

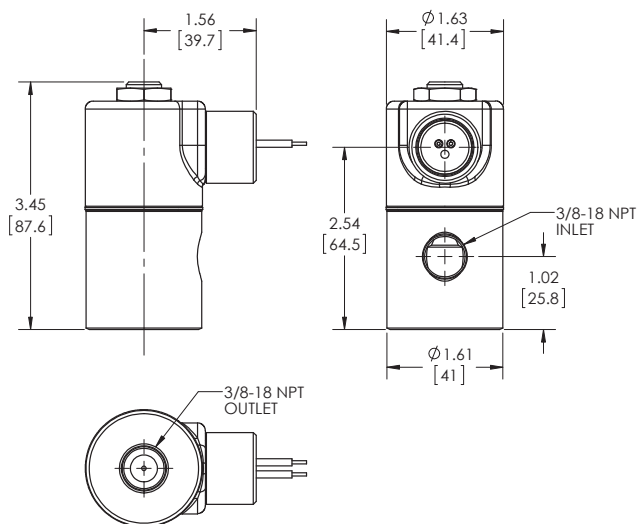
Valve Weight: 1.38 lbs

Repair Packs: See table on proceeding page.

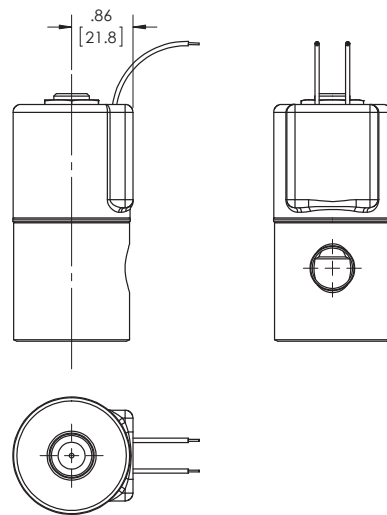
Options: Alternate Elastomers, Spade Terminal Coil, European Style DIN Coil and Explosion Proof*

* Consult representative or factory for options and specifications.





**SERIES 20 MODEL 22T
2WNC
CONDUIT COIL CONNECTION**



**SERIES 20 MODEL 22T
2WNC
GROMMET HOUSING WITH LEADS**

VALVE SPECIFICATIONS

MAX. OPER. PRESS. DIFF. AC	ORIFICE SIZE	CV FACTOR	VALVE NUMBER	
			GROMMET HOUSING	CONDUIT HOUSING
10	3/8	2.0	22T1DGV	22T1DCV

WHEN ORDERING VALVES OR REPAIR PACKS ADD VOLTAGE AND FREQUENCY TO COMPLETE VALVE NUMBER. EXAMPLES: VALVE (22T1DGV-120/60) REPAIR PACK (K22TD-AC)