



**Note:** This valve also available as an operator. Refer to following page.

## Series L58 >> Model L583

### Very Low Watt – 3-Way Normally Closed Valve – Piped Exhaust

Easily interfaced with circuit boards and miniaturized components. The versatility is for connecting electronic signals to pneumatic outputs. The small size is ideal for stand alone (with #10-32 UNF-2B ports) or multiple valves mounted on one manifold. Air and other common gases – filtration recommended – 30 microns or less.

- May be used to “pilot” larger valves.
- Ideal for micro electronic production equipment.
- Great for medical and chemical analytical applications.
- Can operate directly from most programmable controllers.
- High quality engineering.

## OPERATING CONDITIONS

**Media:** Air and other common gases – filtration recommended – 30 microns or less.

**Valve Temperature Range:** Standard Valves – 5°F (-15°C) to 122°F (50°C) ambient; media. Note: Do not allow water to freeze when using plastic body.

**Maximum Operating Pressure Differentials:** See table on proceeding page.

**Burst Pressure:** 1500 PSI

**Leakage:** Bubble tight for standard valves.

**Vacuum:** To 5 Microns\*

## ELECTRICAL CHARACTERISTICS

**Coil Voltage:** 3.0 to 72V DC

**Nominal Power:** DC – .9 Watts

**Coil Construction:** Molded Class A with leadwires and Micro DIN.

**Typical Response Time on Air:** DC – 9 Milliseconds

**Operating Speed:** Up to 600 CPM

**Duty Cycle:** Continuous

## MECHANICAL CHARACTERISTICS

**Body:** Polyester Plastic (Std.), Round Brass or Stainless Steel (Opt.)

**Internal Components:** Stainless Steel

**Elastomers:** Nitrile (Buna) (Std.). Many other elastomers available.\*

**Orifice Diameter:** See table on proceeding page.

**Porting:** #10-32 UNF-2B

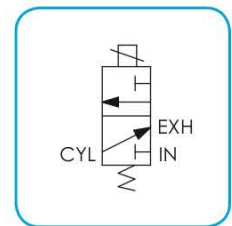
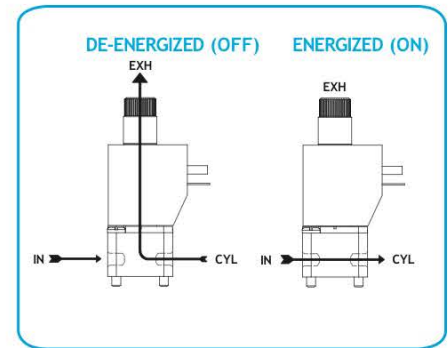
**Life Expectancy:** Millions of cycles, depending on application, lubrication, etc.

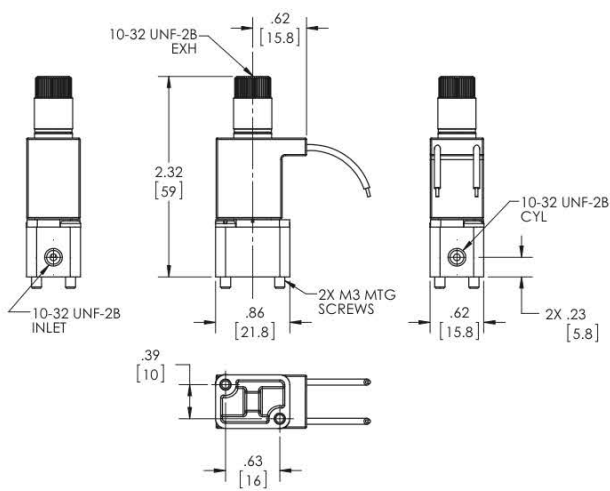
**Valve Weight:** 0.13 lbs

**Repair Packs:** See table on proceeding page.

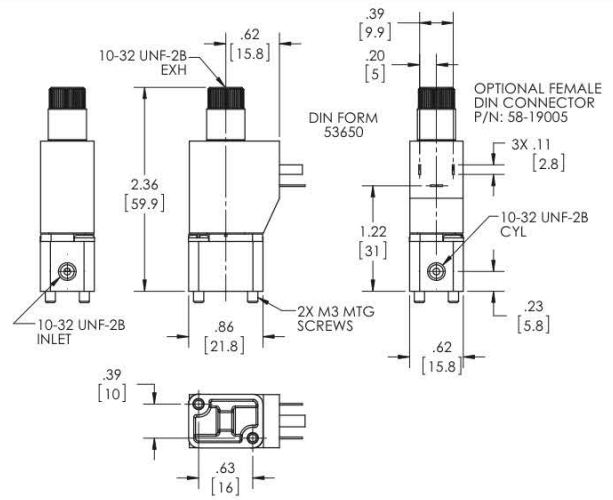
**Options:** Round Stainless Steel or Brass Body, Male Stud Mount, Manual Override, M5 Ports and Manifold Mount.\*

\* Consult representative or factory for options and specifications.





**SERIES L58  
MODEL L583  
3WNC PIPED EXHAUST  
MOLDED WITH LEADS**



**SERIES L58  
MODEL L583  
3WNC PIPED EXHAUST  
DIN STYLE**

## VALVE SPECIFICATIONS

MAX. OPER. PRESS. DIFF.	ORIFICE SIZE		CV FACTOR		VALVE NUMBER	
	DC	N.C	N.O.	N.C.	N.O.	LEAD WIRE
145	0.6 mm	0.6 mm	.010	.010	L583AA19PGM	L583AA19PE
145	0.6 mm	0.8 mm	.010	.020	L583AF19PGM	L583AF19PE

## ORDERING INFORMATION:

WHEN ORDERING VALVES OR REPAIR PACKS ADD VOLTAGE AND FREQUENCY TO COMPLETE VALVE NUMBER. EXAMPLES: VALVE (L583AF19PG 12/DC) REPAIR PACK (L583AF19G DC)

WHEN ORDERING OPERATORS ADD THE LETTER "O" TO THE FRONT OF THE VALVE NUMBER, REPLACE BODY PORT NUMBER WITH THE LETTER "D": EXAMPLE: OPERATOR (OL583AF19DG 12/DC)