



Note: This valve also available as an operator. Refer to following page.

Series L58 >> Model L583

Very Low Watt – 3-Way Normally Closed Valve – Exhaust to Atmosphere

Easily interfaced with circuit boards and miniaturized components. The versatility is for connecting electronic signals to pneumatic outputs. The small size is ideal for stand alone (with #10-32 UNF-2B ports) or multiple valves mounted on one manifold. Air and other common gases – filtration recommended – 30 microns or less.

- May be used to “pilot” larger valves.
- Ideal for micro electronic production equipment.
- Great for medical and chemical analytical applications.
- Can operate directly from most programmable controllers.
- High quality engineering.

OPERATING CONDITIONS

Media: Air and other common gases – filtration recommended – 30 microns or less.

Valve Temperature Range: Standard Valves – 5°F (-15°C) to 122°F (50°C) ambient and media. Note: Do not allow water to freeze when using a plastic body.

Maximum Operating Pressure Differentials: See table on proceeding page.

Burst Pressure: 1500 PSI

Leakage: Bubble tight for standard valves.

Vacuum: To 5 Microns*

ELECTRICAL CHARACTERISTICS

Coil Voltage: 3.0 to 72V DC

Nominal Power: DC – .9 Watts

Coil Construction: Molded Class A with leadwires and Micro DIN.

Typical Response Time on Air: DC – 9 Milliseconds

Operating Speed: Up to 600 CPM

Duty Cycle: Continuous

MECHANICAL CHARACTERISTICS

Body: Polyester Plastic (Std.), Round Brass or Stainless Steel (Opt.)

Internal Components: Stainless Steel

Elastomers: Nitrile (Buna) (Std.). Many other elastomers available.*

Orifice Diameter: See table on proceeding page.

Porting: #10-32 UNF-2B

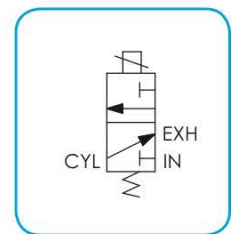
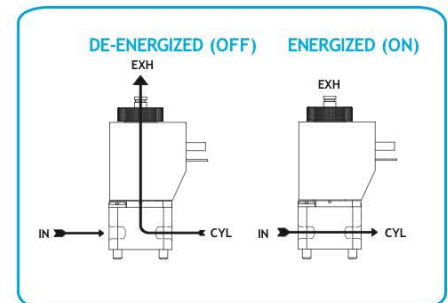
Life Expectancy: Millions of cycles, depending on application, lubrication, etc.

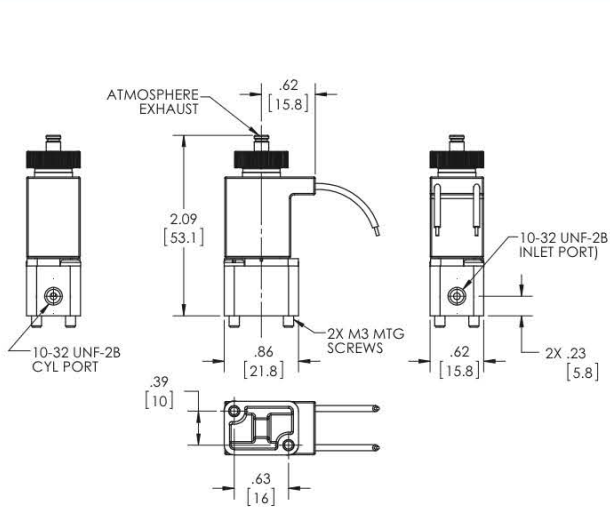
Valve Weight: 0.13 lbs

Repair Packs: See table on proceeding page.

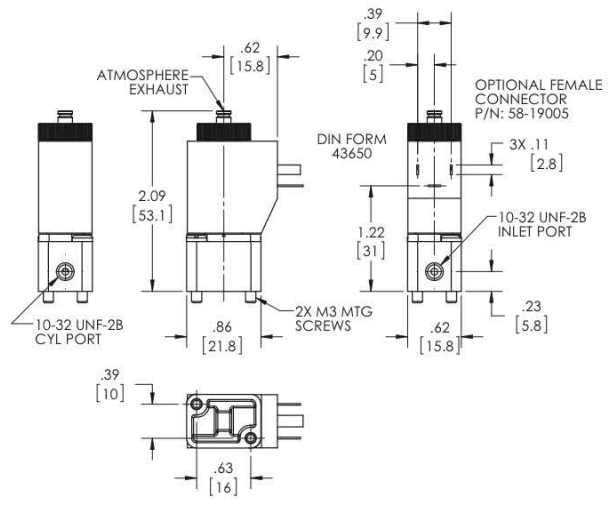
Options: Round Stainless Steel or Brass Body, Male Stud Mount, Manual Override, M5 Ports and Manifold Mount.*

* Consult representative or factory for options and specifications.





**SERIES L58
MODEL L583
3WNC EXHAUST TO ATMOSPHERE
MOLDED WITH LEADS**



**SERIES L58
MODEL L583
3WNC EXHAUST TO ATMOSPHERE
DIN STYLE**

VALVE SPECIFICATIONS

MAX. OPER. PRESS. DIFF.	ORIFICE SIZE		CV FACTOR		VALVE NUMBER	
	DC	N.C	N.O.	N.C.	N.O.	LEAD WIRE
145	0.6 mm	0.6 mm	.010	.010	L583AA19DGM	L583AA19DE
145	0.6 mm	0.8 mm	.010	.020	L583AF19DGM	L583AF19DE

ORDERING INFORMATION:

WHEN ORDERING VALVES OR REPAIR PACKS ADD VOLTAGE AND FREQUENCY TO COMPLETE VALVE NUMBER. EXAMPLES: VALVE (L583AF19DG 12/DC) REPAIR PACK (L583AF19DG DC)

WHEN ORDERING OPERATORS ADD THE LETTER "O" TO THE FRONT OF THE VALVE NUMBER, REPLACE BODY PORT NUMBER WITH THE LETTER "D": EXAMPLE: OPERATOR (OL583AFDG 12/DC)