

# HAZARDOUS LOCATION HIGH PRESSURE VALVES



**Note:** This valve also available as an operator. Refer to following page.

## Series 20 >> Model EH21

### Hazardous Location High Pressure – 2-Way Normally Open

This valve uses the same kinetic energy impact mechanism as the EH22 but incorporates an internal rocker arm to reverse the action of the sealing pin. The kinetic energy of the plunger is applied to one end of the rocker arm when the coil is de-energized. This lifts the sealing pin, on the opposite end of the rocker arm, against the force of high pressure. A return spring acts directly on the pin, sealing the orifice when the coil is energized.

- Precision stainless steel rocker arm.
- Kel-F pin sealing element.
- Orifice guides the sealing pin for near perfect alignment.

## OPERATING CONDITIONS

**Media:** Air and other non-corrosive gasses, water and oil.

**Filtration:** Down to 60 microns or less is recommended.

**Valve Temperature Range:** Standard Valves - 0°F (-18°C) to 104°F (40°C) ambient; 0°F (-18°C) to 150°F (65°C) media. Optional Valves - can tolerate much higher or much lower ambient and media temperatures.\*

**Maximum Operating Pressure Differentials:** See table on proceeding page.

**Burst Pressure:** 5,000 PSI

**Leakage:** Bubble tight for standard valves.

## ELECTRICAL CHARACTERISTICS

**Coil Voltage:** 6 to 825V AC 60 HZ. and 5 to 720V AC 50 HZ. – 1.8 to 265V DC

**Nominal Power:** AC – 7.3 Watts DC – 9.5 Watts

**Coil Construction:** Molded Class F with third wire ground (Std.), Class H or Potted (Opt.)

**Typical Response Time on Air:** 4 - 16 Milliseconds

**Operating Speed:** Up to 600 CPM with gas media

**Duty Cycle:** Continuous

## MECHANICAL CHARACTERISTICS

**Body:** 300 Series Stainless Steel

**Internal Components:** Stainless Steel

**Elastomers:** Nitrile (Buna) (Std.). Many other elastomers available.\*

**Sealing Pin:** Kel-F (Std.), Delrin®, Teflon®, Nylon, PEEK, Radel®, Ultem®, 303 Stainless Steel (Opt.)

**Orifice Diameter:** See table on proceeding page.

**Porting:** 1/8" NPT

**Housing:** Flame-Proof construction with 1/2" NPT conduit

**Mounting:** Must be mounted within 30° of vertical.

**Listings:** Valves are UL listed and CSA certified for Hazardous Locations – Class I, Div 1, Group C and D - Class II, Div 1, Group E, F, and G; Div 2 Groups A, B, C, D, E, F, and G.

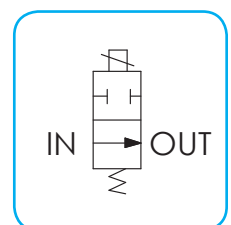
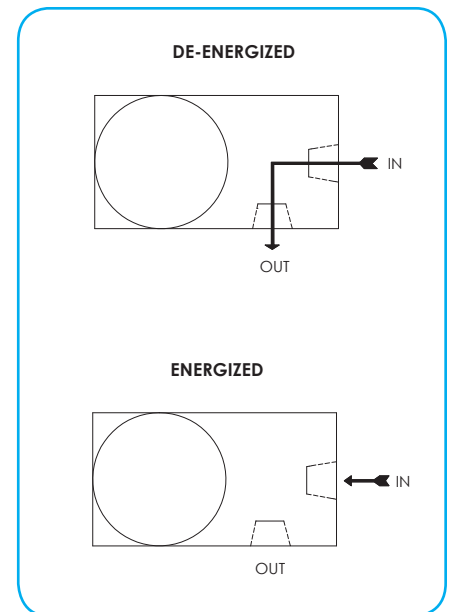
**Life Expectancy:** Millions of cycles, depending on application, lubrication, etc.

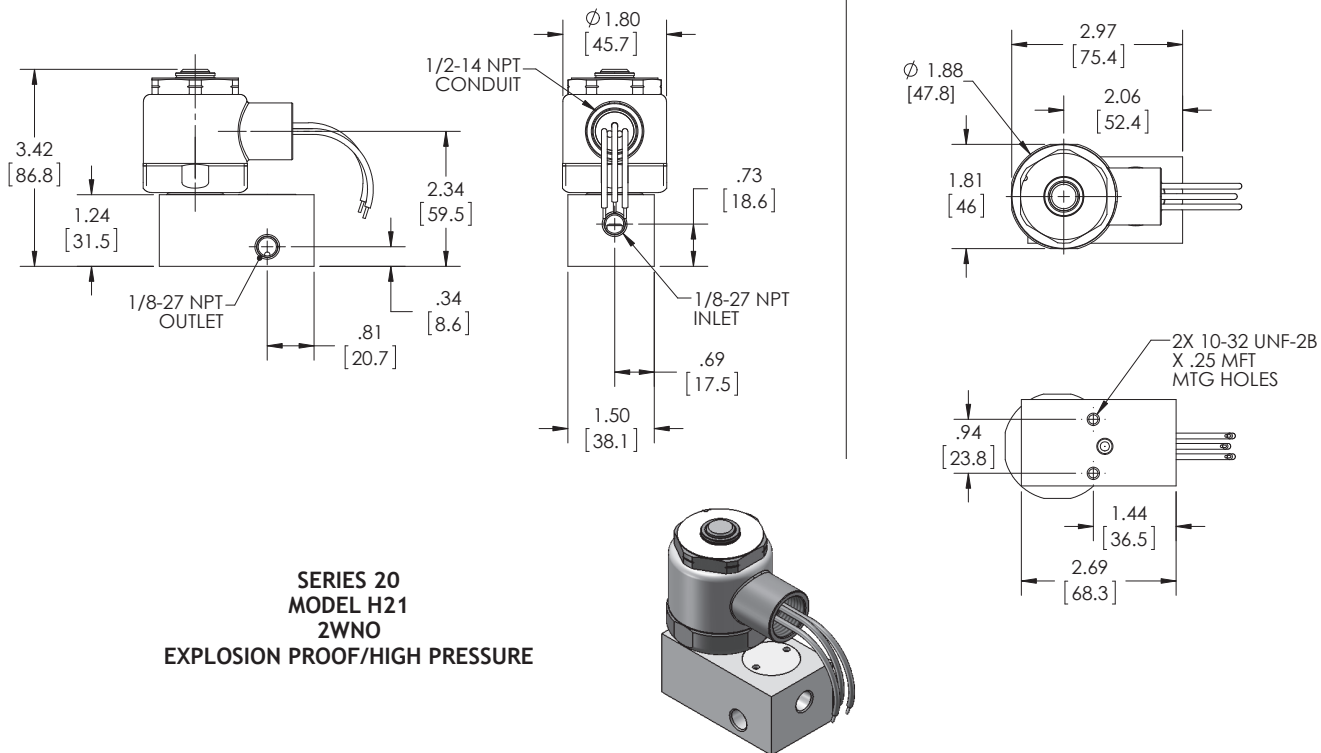
**Valve Weight:** 2.38 lbs

**Repair Kits:** See table on proceeding page.

**Options:** Alternate Sealing Pin Materials and Alternate Elastomers\*

\* Consult representative or factory for options and specifications.





## VALVE SPECIFICATIONS

MAX. OPER. PRESS. DIFF.		ORIFICE SIZE N.O.	CV FACTOR N.O.	VALVE NUMBER	
GAS	LIQUID			GAS 1/8 NPT PORTS	LIQUID 1/8 NPT PORTS
3000*	3000*	1/32	.024	EH21G7DCCM	EH21G7DCCM
2500*	1500*	3/64	.052	EH21H7DCCMG	EH21H7DCCML
1350*	850*	1/16	.095	EH21J7DCCMG	EH21J7DCCML
450	300	3/32	.156	EH21K7DCCMG	EH21K7DCCML

\* FKM seals not recommended for pressure above 500 psi.

### ORDERING INFORMATION:

WHEN ORDERING VALVES OR REPAIR PACKS ADD VOLTAGE AND FREQUENCY TO COMPLETE VALVE NUMBER. EXAMPLES: VALVE (EH21J7DCCMG 120/60) REPAIR PACK (2KEH21J AC)

WHEN ORDERING OPERATORS ADD THE LETTER "O" TO THE FRONT OF THE VALVE NUMBER, REPLACE BODY PORT NUMBER WITH THE LETTER "D": EXAMPLE: OPERATOR (OEH21J7DCCMG 120/60)