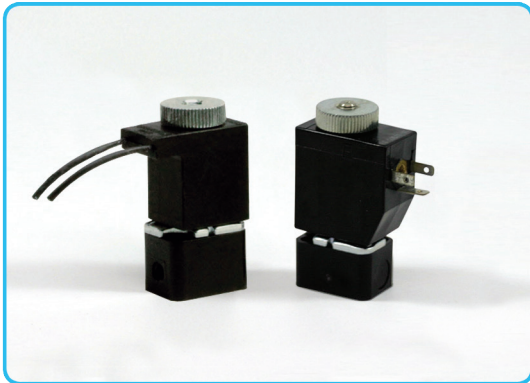


# GENERAL PURPOSE VALVES



**Note:** This valve also available as an operator. Refer to following page.

## Series 58 >> Model 583

**Low Watt – 3-Way Normally Closed Valve – Exhaust to Atmosphere**

Easily interfaced with circuit boards and miniaturized components. The versatility is for connecting electronic signals to pneumatic outputs. The small size is ideal for stand alone (with #10-32 UNF-2B ports) or multiple valves mounted on one manifold. Air and other common gases – filtration recommended – 30 microns or less.

- May be used to “pilot” larger valves.
- Ideal for micro electronic production equipment.
- Great for medical and chemical analytical applications.
- Can operate directly from most programmable controllers.
- High quality engineering.

## OPERATING CONDITIONS

**Media:** Air and other common gases – filtration recommended – 30 microns or less.

**Valve Temperature Range:** Standard Valves – 5°F (-15°C) to 122°F (50°C) ambient; media.

**Maximum Operating Pressure Differentials:** See table on proceeding page.

**Burst Pressure:** 1500 PSI

**Leakage:** Bubble tight for standard valves.

**Vacuum:** To 5 Microns\*

## ELECTRICAL CHARACTERISTICS

**Coil Voltage:** 14 to 220V AC 60 HZ. and 13 to 202V AC 50 HZ. – 3.0 to 150V DC

**Nominal Power:** AC – 3.5 Watts, DC – 3.5 Watts

**Coil Construction:** Molded Class A with lead wires and Micro DIN.

**Typical Response Time on Air:** AC – 3 to 9 Milliseconds, DC – 9 Milliseconds

**Operating Speed:** Up to 1000 CPM

**Duty Cycle:** Continuous

## MECHANICAL CHARACTERISTICS

**Body:** Polyester Plastic (Std.), Round Brass or Stainless Steel (Opt.)

**Internal Components:** Stainless Steel

**Elastomers:** Nitrile (Buna) (Std.). Many other elastomers available.\*

**Orifice Diameter:** See table on proceeding page.

**Porting:** #10-32 UNF-2B

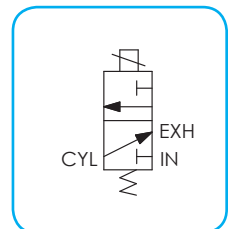
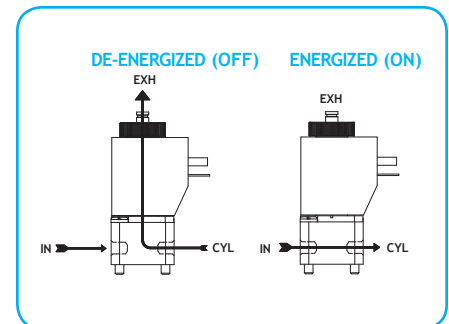
**Life Expectancy:** Millions of cycles, depending on application, lubrication, etc.

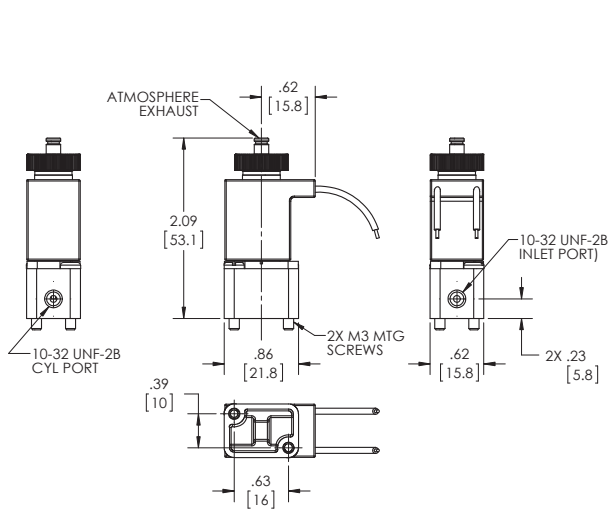
**Valve Weight:** 0.13 lbs

**Repair Packs:** See table on proceeding page.

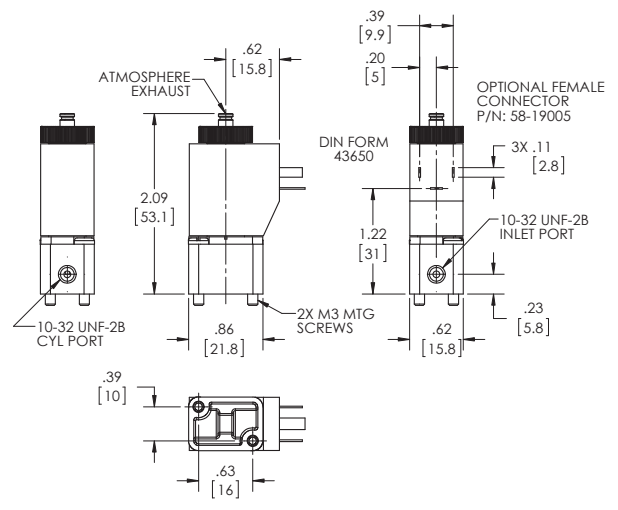
**Options:** Round Stainless Steel or Brass Body, Male Stud Mount, Manual Override, M5 Ports and Manifold Mount.\*

\* Consult representative or factory for options and specifications.





**SERIES 58  
MODEL 583  
3WNC EXHAUST TO ATMOSPHERE  
MOLDED WITH LEADS**



**SERIES 58  
MODEL 583  
3WNC EXHAUST TO ATMOSPHERE  
DIN STYLE**

## VALVE SPECIFICATIONS

MAX. OPER. PRESS. DIFF.		ORIFICE SIZE		CV FACTOR		VALVE NUMBER	
AC	DC	N.C.	N.O.	N.C.	N.O.	LEAD WIRE	MICRO DIN
300	300	0.6 mm	0.6 mm	.010	.010	583AA19DGM	583AA19DE
300	300	0.6 mm	0.8 mm	.010	.020	583AF19DGM	583AF19DE
250	250	0.8 mm	0.8 mm	.020	.020	583FF19DGM	583FF19DE
145	145	1.0 mm	1.0 mm	.030	.030	583MM19DGM	583MM19DE
100	100	1.2 mm	1.2 mm	.034	.034	583WW19DGM	583WW19DE

### ORDERING INFORMATION:

WHEN ORDERING VALVES OR REPAIR PACKS ADD VOLTAGE AND FREQUENCY TO COMPLETE VALVE NUMBER. FOR EXAMPLES: VALVE (583MM19DGM 120/60) REPAIR PACK (K583MM19 AC)

WHEN ORDERING OPERATORS ADD THE LETTER "O" TO THE FRONT OF THE VALVE NUMBER, REPLACE BODY PORT NUMBER WITH THE LETTER "D": EXAMPLE: OPERATOR (Q583MMDDGM 120/60)