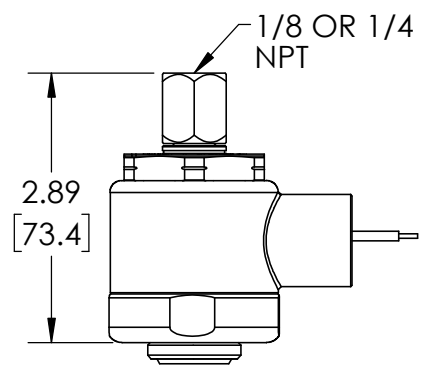
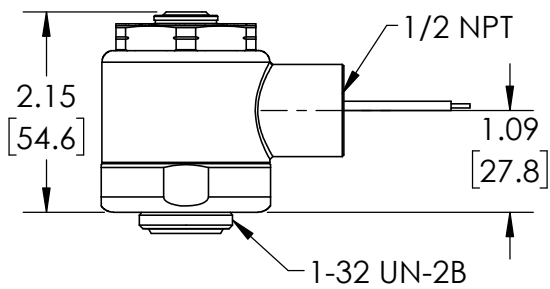
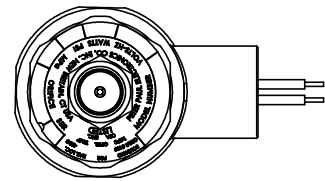
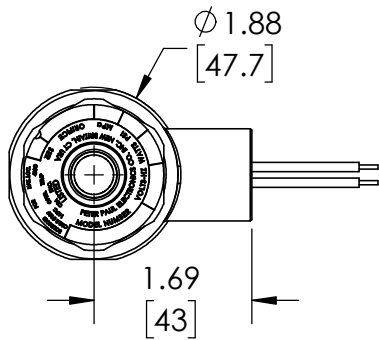


SERIES OEH20



**HAZARDOUS LOCATION
HOUSING**